

Figure -1



Figure-2

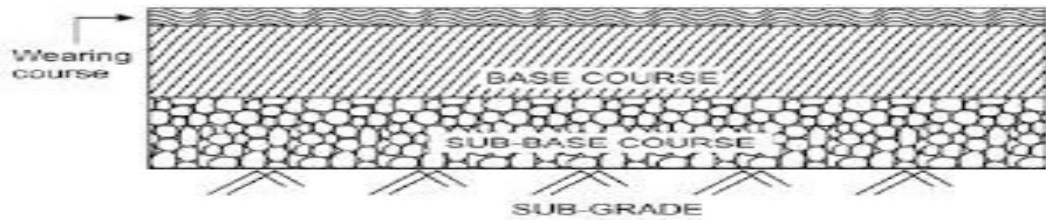
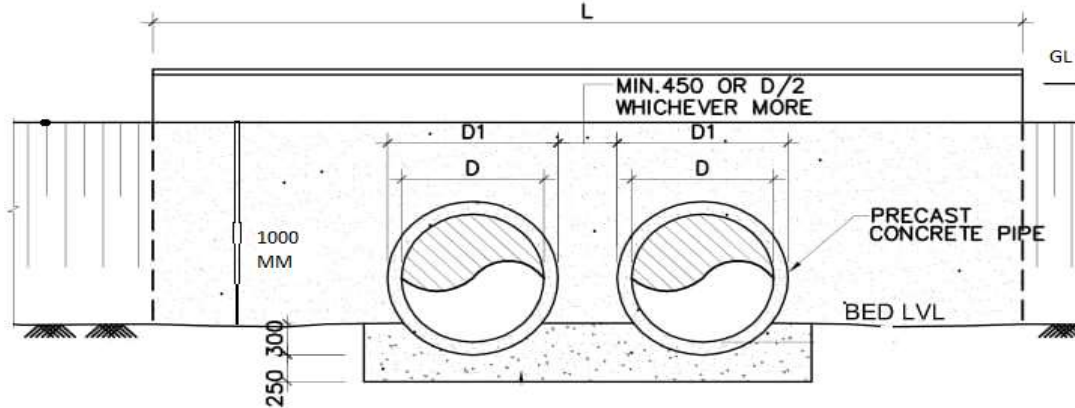


Figure -3



**Details**

$D= 900$  mm

$D1=1100$ mm